



COVER
(EIB128COV)



Brooks 230V Relay Base to suit 140RC & 160e series Alarms

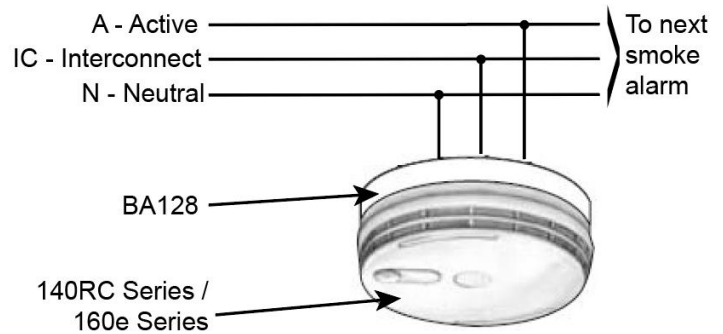
BA128

Description

The BA128 is a surface mount relay base designed to operate with the Brooks 140RC & 160e series. The Smoke / Heat Alarm can be mounted on the BA128 and when a fire is detected, the relay contacts change over. The electrically isolated contacts can be used for signalling, emergency lighting, switching lights and sirens or activating door release devices etc.


Warning: To comply with the mandatory safety regulations, the BA128 must either be fitted under one of the 140RC Series or 160e Series alarms as per these instructions or be fully enclosed with the supplied cover. With the cover, it allows the BA128 to be placed anywhere.

The BA128 replaces the current EIB128



Specifications

Function	Description
Input supply	230V _{AC} / 35mA Maximum
Maximum carry current of the relay contacts	10A @ 250V _{AC} , resistive load
Input driving current from the Interconnect	150uA max @ 9V
Max. number of Alarms connected to BA128	11
Compatible	EIB141RC, EIB144RC, EIB146RC EIB161e, EIB164e, EIB166e
High isolation relay	Insulation distance 8mm, dielectric strength 5000V _{AC} , Surge strength 10 000V
Temperature Range	0°C to 40°C
Material	Flame retardant
Dimensions	120 x 140mm x 21mm depth
Approvals	Meets AS3000 requirements

					Title	Technical Datasheet			
					Brooks 230V Relay Base to suit 140RC & 160e series Alarms Page 1 of 3	Created	Checked	TDS No.	Rev
						E.T.	A.S.	TDS065	1
31/10/18	1	Minor update	A.S.			14/8/2018	14/8/2018		
14/8/2018	0	Original Issue	E.T.	A.S.					
Date	Rev	Description	By	Apv.					

Installation

Warning: Mains powered Smoke / Heat Alarms and BA128 must be installed by a licensed electrician in accordance with AS3000. Failure to install the unit correctly may expose the user to shock or fire hazards.

1. Choose a mounting position following the siting instructions in the Smoke/Heat Alarm leaflet. Where the incoming wiring is on the surface of the ceiling, the appropriately sized ducting/conduit must be chosen to mate with the unit. Use a sharp knife to remove material from the selected knockout, making sure that there is no gap when mated with ducting / conduit.
2. Screw the BA128 base to the ceiling after first removing the required knockout and bringing the wires through it.
3. If more than one Smoke Alarms are to be used, connect the 2nd set of marked A - Active, N - Neutral and IC-Interconnect, on the terminal block on the PCB. The extra 3-Way terminal block is provided if the cables cannot fit into the PCB's terminal block.
4. Connect three double insulated wires between the terminals on BA128 PCB and the terminals on the Smoke / Heat Alarm base as shown in Figure 1. This "IC" wire must be connected even if it is a single alarm installation.
5. Connect the wires to the required relay contacts for controlling the auxiliary device as shown in the examples in either Figure 2 or Figure 3.
6. Screw the base plate of Smoke / Heat Alarms onto the top of BA128 using the two screws supplied.
7. Slide the Alarm on to its base plate.
8. Switch on the mains power to the Alarm – the green LED light on the Alarm should be on. Press and hold down the test button for approximately 8 seconds, the relay will switch over.

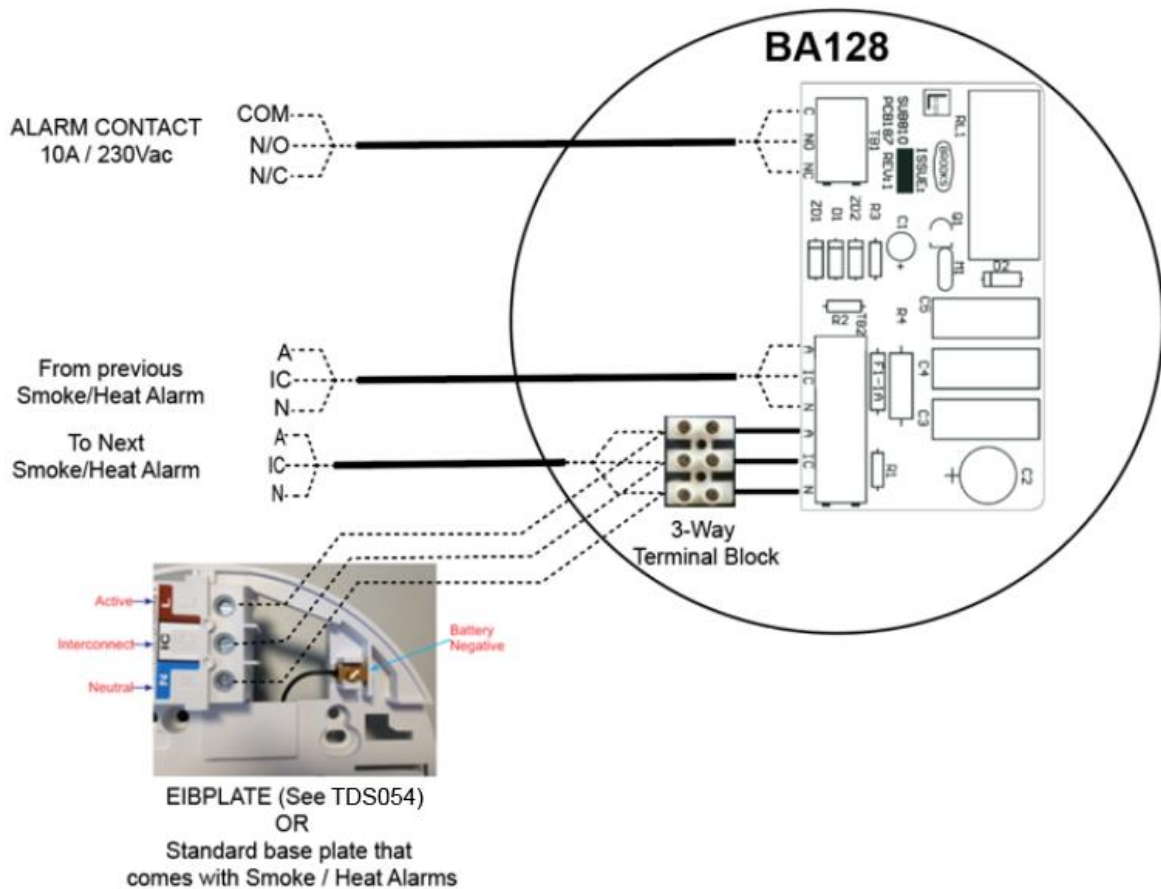


Figure 1 BA128 Wiring

					Title	Technical Datasheet		BROOKS	
					Brooks 230V Relay Base to suit 140RC & 160e series Alarms	Created	Checked	TDS No.	Rev
						E.T.	A.S.	TDS065	1
Date	Rev	Description	By	Apv.		14/8/2018	14/8/2018		

Wiring Examples

Figure 2 below shows a typical example of how the relay contacts of BA128 can be connected to control external emergency lights via the normally closed contact of the BA128 relay.

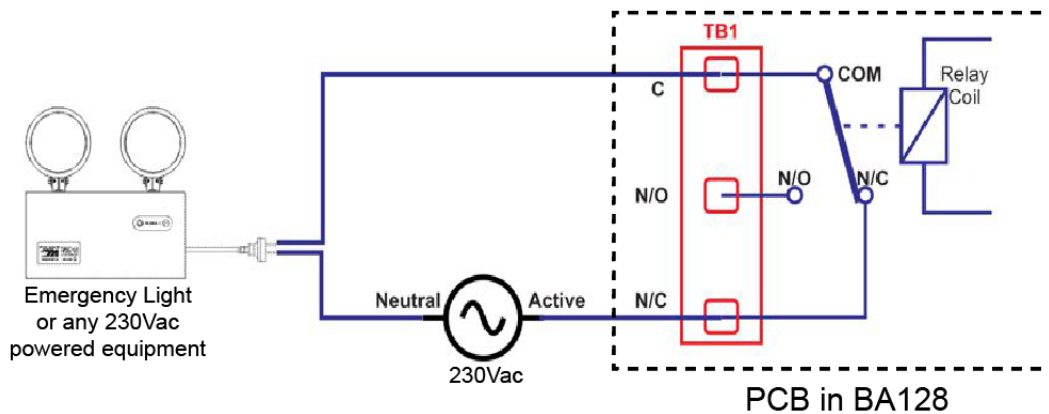


Figure 2 Control of AC Powered Ancillary Devices

Figure 3 below shows a second example to drive external sirens or sounders by connecting a DC source to the normally closed contact of the BA128 relay.

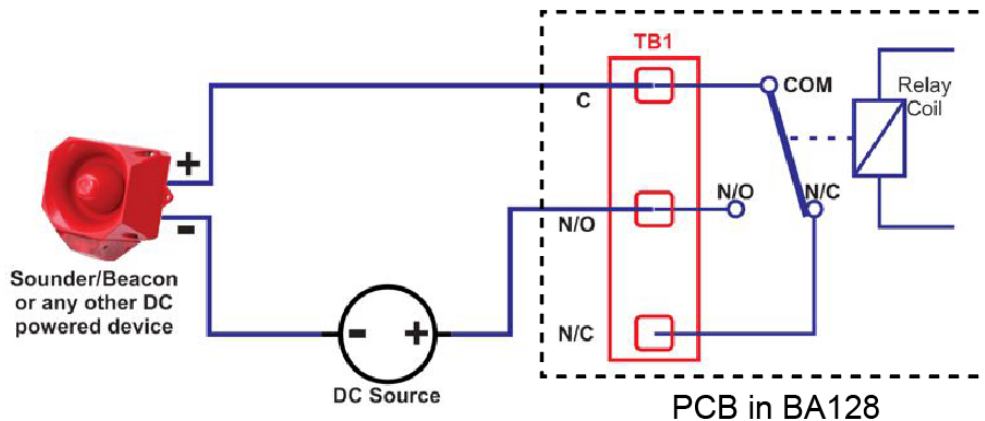


Figure 3 Control of DC Powered Ancillary Devices

Notes

1. A maximum of 11 Smoke/Heat Alarm of the types specified may be interconnected to one or two BA128 units. When one Alarm senses fire all interconnected units will alarm and the relay will switch over.
2. Additional surface mount relay bases BA128 can be added to the interconnected Smoke or Heat Alarms. For every 2 additional relay bases, reduce the total number of interconnected Alarms by one Alarm.
3. The relay board is not battery backed and requires 230VAC to operate i.e. a Smoke / Heat Alarm with battery backup will continue to operate during mains failure but will not be able to switch the relay.
4. Inbuilt filter is incorporated in the relay board to reduce the effects of external noise interference.
5. Devices connected to the relay contacts must not give a fire warning until the contacts have switched for at least 200ms. (The contacts may switch momentarily when subjected to electromagnetic interference).

(Due to the continual development Brooks Australia reserves the rights to change the product specifications)

					Title		Technical Datasheet		BROOKS	
					Brooks 230V Relay Base to suit 140RC & 160e series Alarms					
					Page 3 of 3		Created	Checked	TDS No.	Rev
31/10/18	1	Minor update	A.S.				E.T.	A.S.	TDS065	1
14/8/2018	0	Original Issue	E.T.	A.S.			14/8/2018	14/8/2018		
Date	Rev	Description	By	Apv.						