

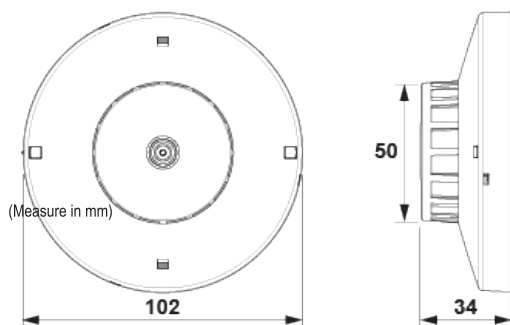
DATASHEET

Analogue Heat Sensor - 4408W



4408 is a new analogue heat detector from Panasonic that can be plugged in the standard mounting bases 3312, 3313 and 3379. The detector has two red indicators to flash in case of fire alarm and another green polling indicator. The green polling LED can blink 20ms every 7 seconds if the check box "Flashing green polling LED" is selected in EBLWin system properties, page 2 in software \geq V3.4.x. When 4408 is set in test mode, the green polling LED will be turned off to indicate the detector is currently in test mode. If the check box is not selected, the green LED remains off. When a new 4408 with default address setting "000" is connected to a loop, 4408 red LED will be flashing every three second to indicate that the address has not been set. 4408 must have its own unique address 001-253 set by address setting tool 4414.

TECHNICAL DRAWINGS



SPECIFICATIONS

Model Number:	4408W
Temperature:	-10 to +50°
Indicator LED's:	Red
Humidity:	<95%
Dimensions:	Ø102 x 34 mm
Weight:	65g

ORDER NUMBER

4408W - Analog heat detector, white

FEATURES

- › State of the art detector for highest safety
- › Algorithms for categories A1, A2S, and BS included Selection via EBL Win
- › Possible to have both regular and alternative algorithms for highest security without nuisance alarms

RELATED PRODUCTS

3312W - Analog base
3379W - Addressable sounder base

APPROVALS

Conforms to AS7240.5:2018