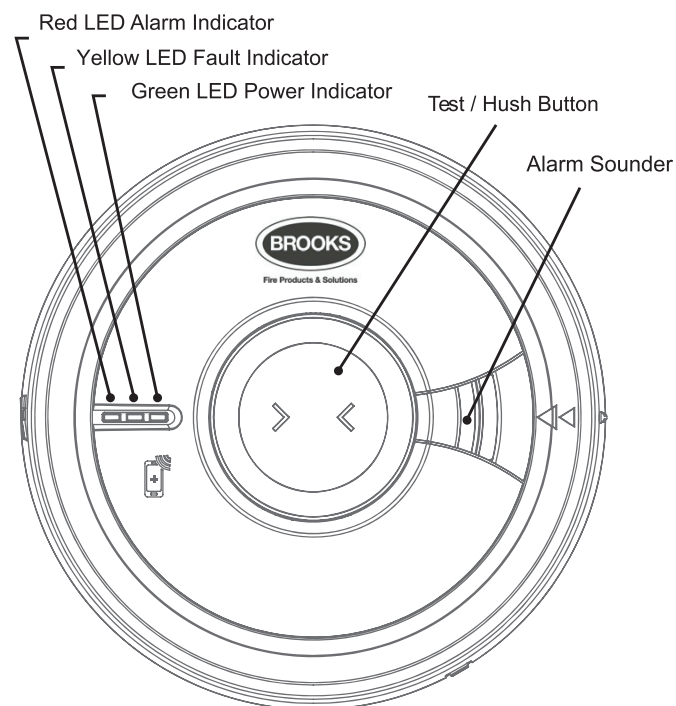


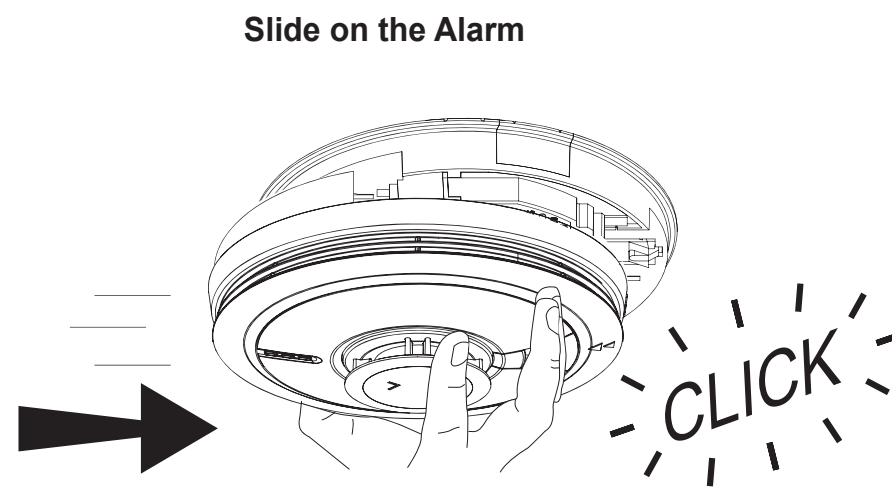
Indicators and Controls



Note: FA- RCIE system and FA Heads and Bases should be installed by a competent technician

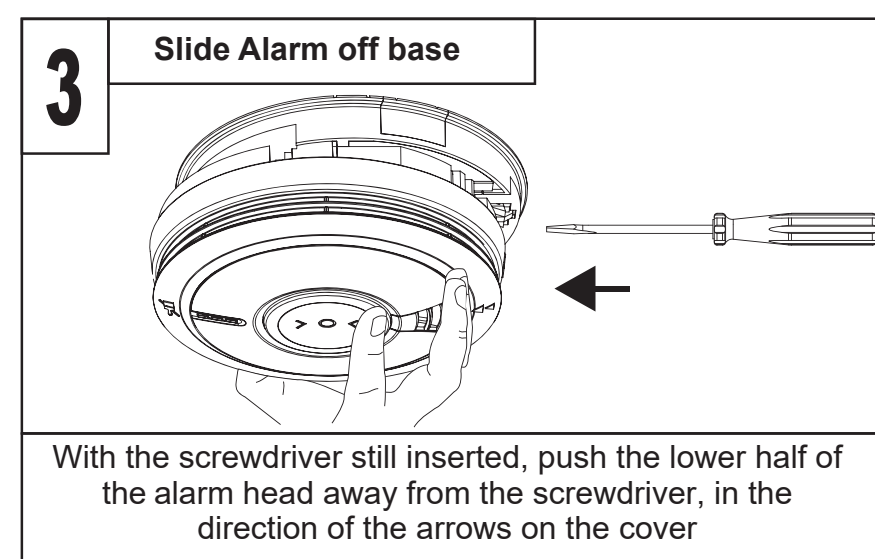
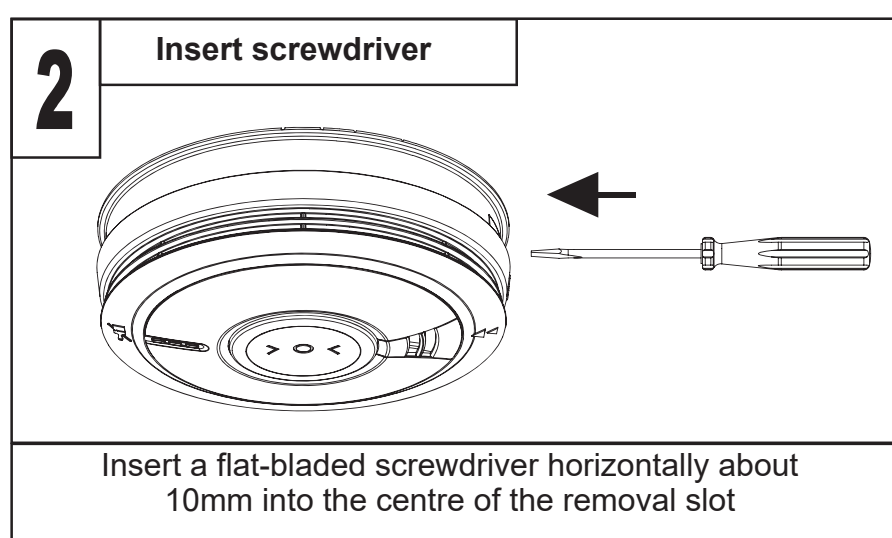
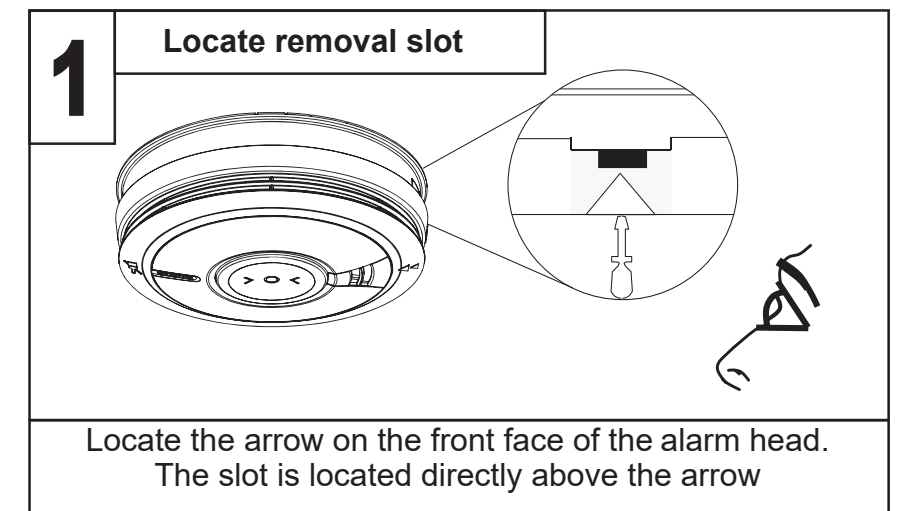
Installing the Head onto the Base

Once the FA000 Base has been installed, and wired up into the system, slide the alarm onto the base until you hear a click.

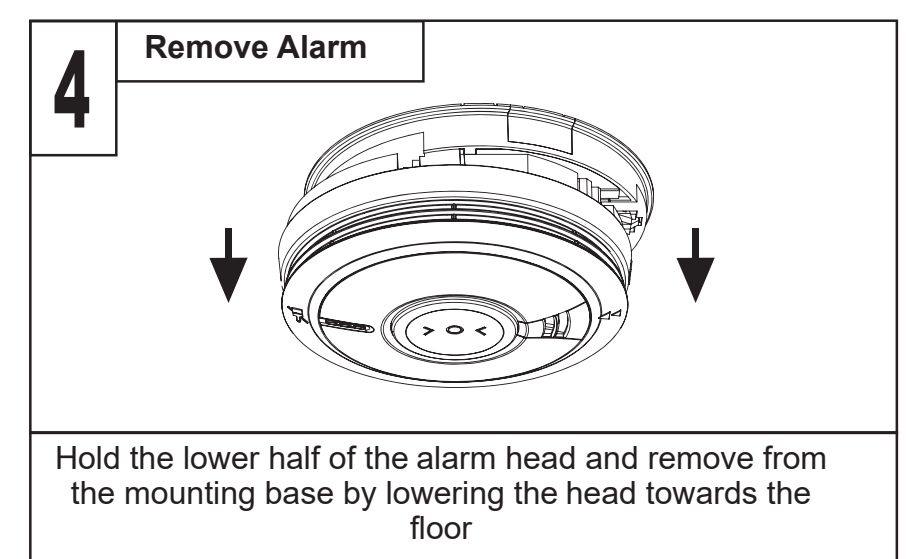


Removing the Head from the Base

*disconnect mains before removal

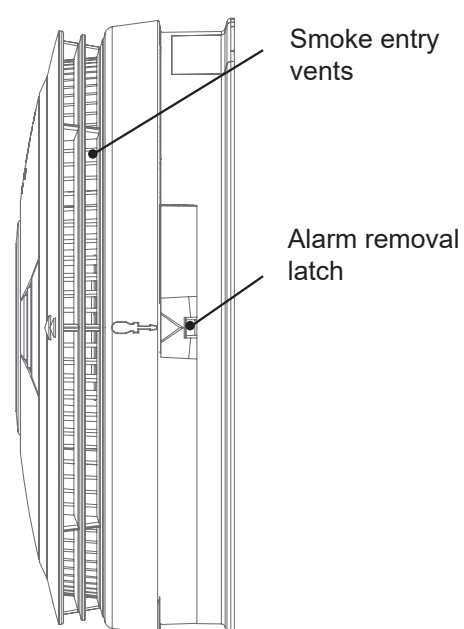


Ensure the FA000 Base is securely mounted to a stable, non-conductive surface to prevent vibration or electrical contact issues.

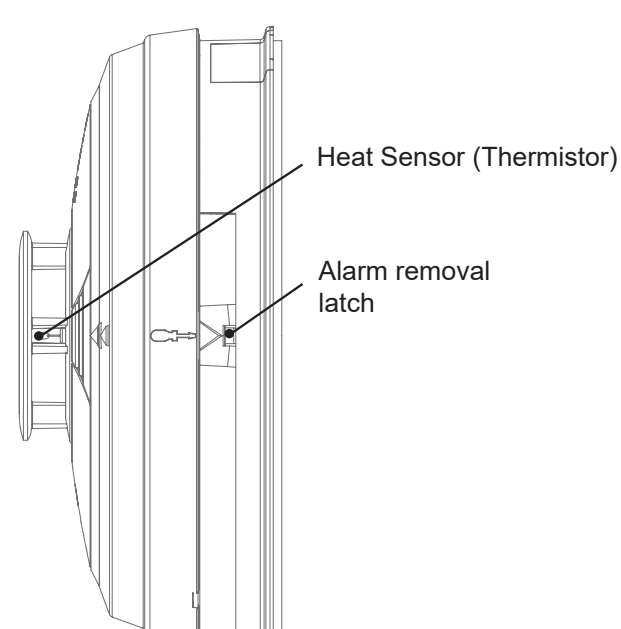


⚠ Disconnect all power from RCIE before connecting or removing any wiring from the FA000 Base.

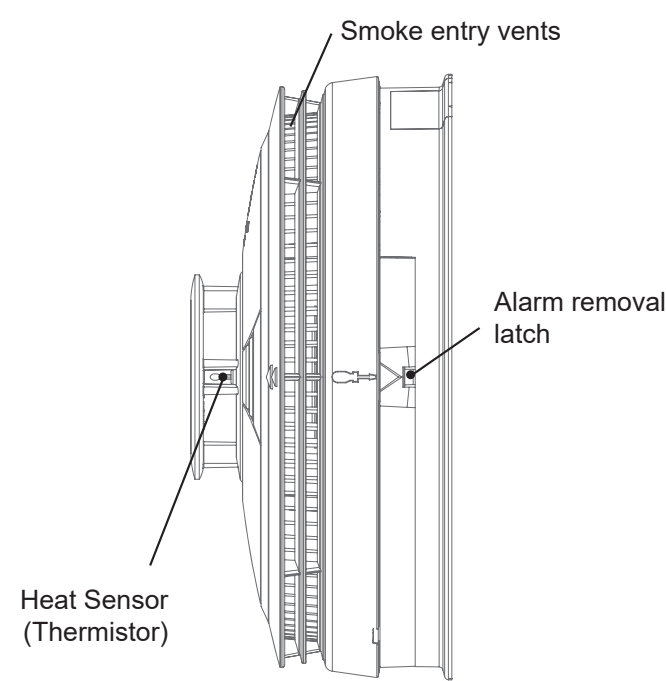
FA016 Smoke Alarm



FA014 Heat Alarm



FA024 Multi Sensor Heat & Smoke



Scan the QR code for full system documentation and operational manual

