

VISALERT *Plus*

for Mains Power

Instruction Manual

Read and retain carefully for as long as the product is being used. It contains vital information on the operation and installation of your Alarm. The leaflet should be regarded as part of the product.

If you are just installing the unit, the leaflet **MUST** be given to the householder. The leaflet is to be given to any subsequent user.



Fire Products & Solutions

Contents

1. Introduction	5
1.1 Features	6
1.2 Warning	7
1.3 Overview	8
1.4 Compatibility	10
1.5 Specifications	12
2. Installation and Wiring	13
2.1 Important Safety Instructions	14
2.2 Locating VISALERT <i>PLUS</i> → Easi-fit base	15
2.2.1 Visual alerting Device	15
2.2.2 Emergency luminaire	15
2.3 Mounting VISALERT <i>PLUS</i> → Easi-fit base	15
2.4 Wiring and Termination	19
2.5 Removing the VISALERT <i>PLUS</i>	23

3. Operation	24
3.1 Testing the Alarm System "TEST"	25
3.2 Fault Indications	28
4. Lithium Battery Warnings	29
5. Guarantee	31
6. Revision History	33

Table of figures

Figure 1. VISALERT <i>PLUS</i> LED module	8
Figure 2. VISALERT <i>PLUS</i> easi-fit Base	9
Figure 3. VISALERT <i>PLUS</i> removed	11
Figure 4. Dimensions of VISALERT <i>PLUS</i> without base	12
Figure 5. Mounting and preparing Easi-fit base for termination	16
Figure 6. VISALERT <i>PLUS</i> termination	18
Figure 7. VISALERT <i>PLUS</i> connection diagram	20
Figure 8. Remove VISALERT <i>PLUS</i> from the easi-fit base	23
Figure 9. Fault Codes Indicator light meanings	28

1

Introduction

The VISALERT *PLUS* continues Brooks' commitment to fire safety for the hearing impaired. VISALERT *PLUS* is the next generation of Brooks' visual alerting devices designed to wake a sleeping occupant. Brooks recognises the need to alert a sleeping occupant but also recognises that once awake they need to make their way to a place of safety. VISALERT *PLUS*, now includes the option of being converted to an emergency escape luminaire. In this format, placed along a hallway or above stairs it lights up the escape path for the occupant. The one product now has a dual purpose, one in the bedroom to awake the occupant and one or more along the escape path to light the way.

The VISALERT *PLUS* is designed to work in conjunction with existing Brooks mains powered alarms utilising the standard mains power easi-fit base thereby providing a fit for purpose fire safety solution for those with hearing impairment.

1.1 Features

- 5 Ultra-bright cool-white LEDs with wide coverage of light.
- Designed to meet the requirements of UL1971 as a visual warning device for persons with hearing impairment.
- Can be utilised as an emergency luminaire.
- Microprocessor based unit.
- Requires only 3 wires: Active, Neutral and Interconnect utilising the standard Easi-fit base.
- Seamless fit onto Easi-fit base, with a 40% reduction in size to previous models.

- Non-removable integrated rechargeable lithium batteries.
- Up to 7 days back-up power in the event of power outages.
- Interconnectible with Brooks' range of 230Vac smoke, heat, carbon monoxide and multi sensor alarms.
- Interconnection options for hardwired or wireless.
- Fully concealed and protected printed circuit board, only spade terminals are accessible.
- Complies with the electrical safety standard AS/NZS 62368.1:2022.
- Test button – will start flashing the five white lights – please note that the VISALERT *PLUS* will not trigger other alarms when in test mode.
- Green light – indicates that the mains power supply is connected and the standby batteries are being charged.
- Orange light – fault light - see fault codes in section 1.5, page 12.

1.2 **Warning**

Read carefully and retain the product booklet for as long as the product is being used. It contains vital information on the operation and installation of your VISALERT *PLUS* unit. The booklet should be regarded as part of the product.

If you are just installing the unit, the booklet **MUST** be given to the homeowner and to any subsequent user.

1.3 Overview

The front and rear views of the VISALERT *PLUS* are shown in Figure 1 below and the termination section of the Easi-fit base is shown in Figure 2.

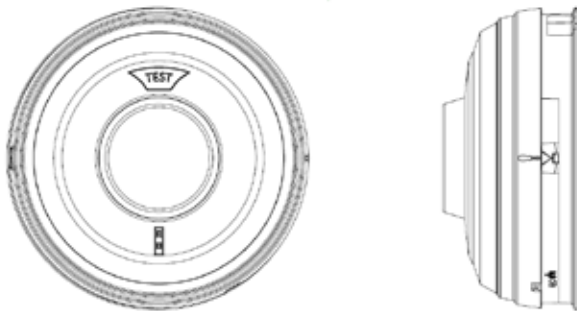


Figure 1 - VISALERT *PLUS* LED module

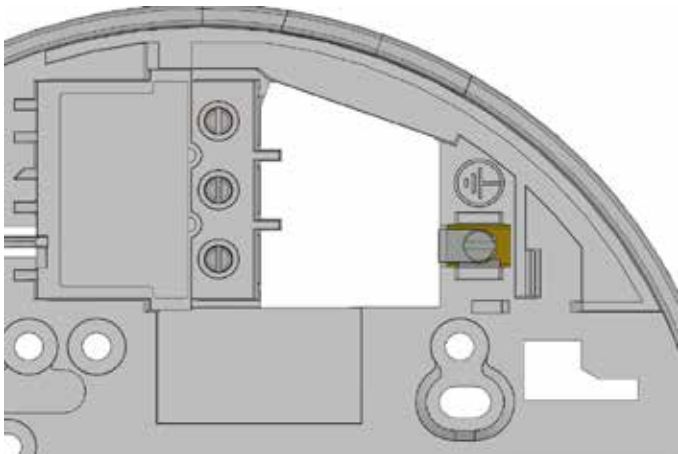


Figure 2 - VISALETR *PLUS* easi-fit Base

1.4 Compatibility

Needs to be mounted to Easi-fit base.

The VISALERT *PLUS* can be used with Brooks 230VAC hardwire alarms and interconnected via hardwire or wireless utilising EIB3000MRF module (if fitted). Interconnection of Brooks series alarms can be as follow:

Hardwire interconnection alarms:

- EIB3000 Series
- EIB140e Series
- EIB160 Series¹

Wireless Interconnection:

- EIB600 series
- EIB168RC
- Any wireless interconnectable device

¹160 series is discontinued however, VISALERT *PLUS* can be interconnected to existing EIB160 series.

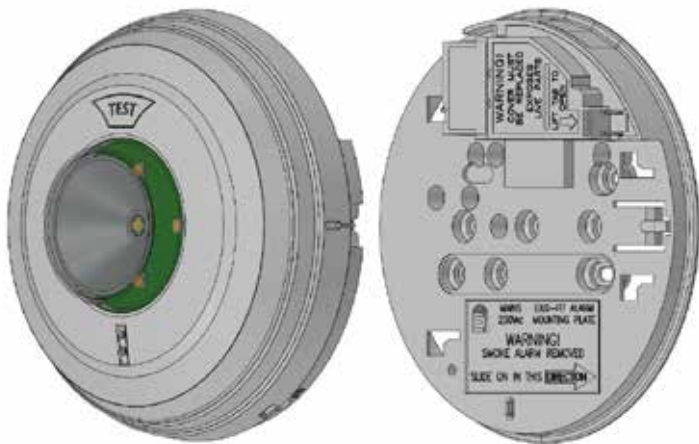


Figure 3 - VISAALERT PLUS removed

1.5 Specifications

On Board Power Supply	230V AC, 50Hz, 18mA, 4 W with Lithium battery back-up
Operating Temperature	-0 °C to +40 °C
Dimensions	147mm Dia x 60.4mm H, see Figure 4
Interconnection	Up to 12 interconnected devices
Fault Indication	<ul style="list-style-type: none">• External trigger Input wiring Open Circuit• Memory Fault• Low Battery• Mains Loss
Mounting	Ceiling or wall mounted in accordance to AS3000.
Approvals	<ul style="list-style-type: none">• Conform to AS/NZS 62368.1:2022• Meet the requirements of UL1971

Figure 4 - Dimensions of VISALERT *PLUS* without base



2

Installation and Wiring

2.1 Important Safety Instructions

- The VISALERT*PLUS* as a mains operated fixed wiring device, should be installed and interconnected by a licensed electrician in accordance with AS3000. Failure to install this device or Alarms correctly may expose the user to shock or fire hazards and damage the product and other interconnected devices.
- The VISALERT*PLUS* is designed to be permanently mounted and connected to the same consumer mains supply powering the smoke alarms to which it is interconnected.
- The VISALERT*PLUS* is designed to suit a Brooks Easi-fit Base and be mounted on a ceiling. The device must not be exposed to dripping or splashing.
- Mains power must be true sinewave, when alternative power source is used e.g. inverters of solar power, ensure the total harmonic distortion (THD) is less than 5%. If in doubt please, check with the manufacturer of the inverter.
- The VISALERT*PLUS* must not be powered from a light dimmer circuit.
- Do not use high voltage insulation tester (megger) on the VISALERT*PLUS* and Alarms connected. Remove the plugs and unclip the Alarms before the test.
- The VISALERT*PLUS* and interconnected Alarms must be permanently powered, do not use power circuit that can be turned off by a switch.
- Do not interconnect the VISALERT*PLUS* to any non-compatible Alarms (apart from those listed above) or to any other device produced by another manufacturer. Doing so may risk damage and malfunction to the interconnected devices, result in a shock or fire hazard and void product warranty.

- An appropriate disconnect device (e.g. Circuit Breaker) shall be provided to the circuit powering the VISALERT*PLUS* and the Alarms, as part of the building installation.
- Mains must be turned off before installing / replacing the VISALERT*PLUS*
- Do not supply mains power to the VISALERT*PLUS* or the Alarms from two different mains circuits.

2.2 Locating VISALERT*PLUS* → Easi-fit base

2.2.1 Visual alerting Device:

Select a centralised location on the ceiling which provides an unobstructed viewing path to the sleeping position of the occupant. The bright flashes of light must be directed to the occupant in their sleeping position.

Additional VISALERT*PLUS* can be located at other locations throughout the dwelling, e.g. rumpus room, study or the like, to alert the occupant of the fire alarm.

2.2.2 Emergency luminaire

Where VISALERT*PLUS* is used as an emergency luminaire it should be placed at locations along the escape path and provide sufficient lighting to allow the occupant to confidently make their way to a place of safety.

2.3 Mounting VISALERT*PLUS* → Easi-fit base

For best performance, select a centralised location on the ceiling to mount the VISALERT*PLUS* device. Ensure VISALERT*PLUS* is mounted at an accessible point on the ceiling approximately 300mm away from walls and other ceiling fixtures to ensure light has an unobstructed path to warn the occupant.

Consider an alternative location if the VISALERT*PLUS* is required to be operated by a disabled person.

To mount the VISALERT*PLUS*, it will first need to be mounted to an Easi-fit base. The Easi-fit base is supplied with the VISALERT*PLUS* system and follows the same mounting procedure as those found with Brooks mains powered alarm systems. In Figure 5 below you will find the correct mounting procedure for the Easi-fit base.

Steps for mounting Easi-fit base:

1. Find a suitable location in the dwelling that provides optimal performance for the device.
2. Ensure all AC mains supply has been disconnected before handling the circuit being used.
3. Lift off the wiring cover from the east-fit base shown to the right, ensure the foam ceiling gasket is adhered.

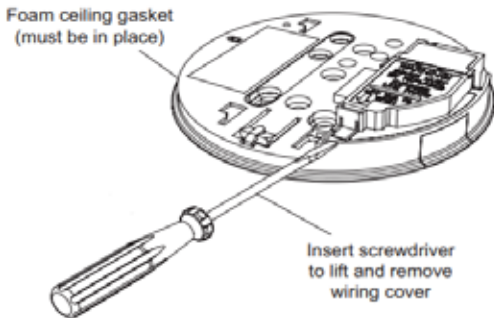


Figure 5 - Mounting and preparing Eadi-fit base for termination

The wiring must be TPS 1.5mm² and connected to the terminal block on the mounting plate as follows:

- a. L: LIVE → connect to the house wires coloured brown or marked 'L'
- b. N: Neutral → connect to the house wires coloured blue or marked 'N'
- c. IC: Interconnect → connect to the common line between Brooks smoke alarms to trigger the alert in the event of an emergency.

Note: Wiring must be installed by licensed electrician in compliance with AS3000.

We strongly recommend that you check for the following before connecting the VISALERT*PLUS*:

- check for Live and Neutral using a two-probe tester.
- check for Live using a neon tester.
- check that the Interconnect wire is NOT connected to Live, Neutral or Earth.

>>>>>>> Do not use an Earth wire for the Interconnect line. <<<<<<<<

Note: The VISALERT*PLUS* does not need to be earthed. However, the terminal marked is provided for the convenience of the installer so that any copper Earth wire or cable coloured green and yellow, can be safely terminated.

Terminating procedure is as follows:

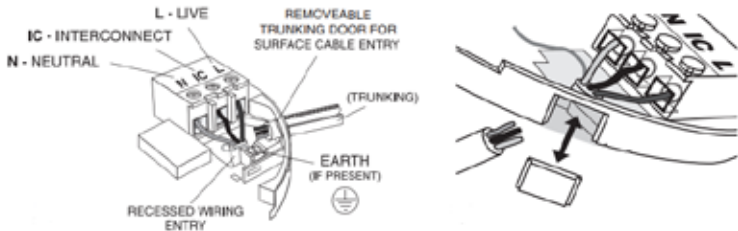


Figure 6 - VISALERT *PLUS* termination

4. Routing the mains cable for the Easi-fit base
 - a. As denoted in the left figure above, if the mains wires are recessed, bring the wires through the port on the rear side of the Easi-fit base.
 - b. As denoted in the right figure above, If the mains wires are being brought along the surface or through a conduit, enter through the removable trunking door on the side of the Easi-fit base.
 - i. Position the mounting plate so the cable trunking is the only part exposed out of the access door, no unshielded cables are to be exposed.
 - ii. the mounting plate has a removable section, take it out to interface directly with 25mm trunking as shown in RHS Figure 6.

- iii. If interfacing to 16mm trunking carefully cut around the marked section, leaving the top intact and replace the section. (If you are not using surface wiring, the removable section must be left in place for electrical safety reasons).
 - iv. There are two other positions which are also suitable for the surface wiring to enter (and exit) the Alarm, one next to the removable section and another directly opposite
5. Carefully align the mounting plate and screw into place. Connect the wires to the terminal block. With recessed wiring, ensure the rear gasket seals around the edge of the hole in the ceiling or wall. This is to prevent air draughts affecting the smoke/heat entering the Alarm. If the hole is too large or the Alarm does not seal it, it should be sealed with silicone rubber or equivalent.
 6. Replace the wiring terminal cover to the Easi-fit base.

Note: the VISALERT *PLUS* can be mounted and connected at any point of the interconnected fire alarm system circuit i.e., not required to be the first device in the circuit.

Wiring and termination must precede the final mounting on the wall.

2.4 Wiring and Termination

Note: To proceed with the termination of the VISALERT *PLUS*, an Easi-fit base must be mounted to the ceiling as described in Section 2.3.

The procedures to connect VISALERT *PLUS* to a mains power Alarm system as follows:

1. Turn off the mains power to all the Alarms in the system before commencing any wiring work.
2. Select the nearest Alarm to the VISALERT *PLUS* and run active (L), neutral (N) and

interconnect (I) to where VISALERT *PLUS* is mounted.

3. Remove the terminal cover on the Easi-fit Base and terminate the incoming three wires L, N & I into the plug as shown in Figure 7 below.

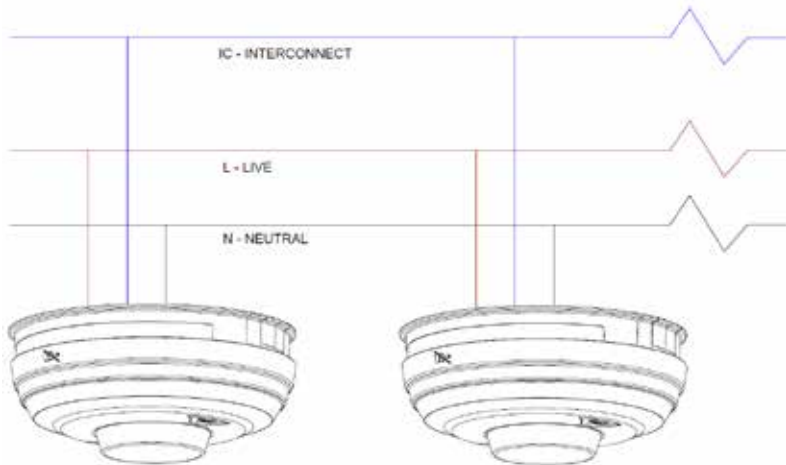


Figure 7 - VISALERT *PLUS* connection diagram

4. Mount the VISALERT *PLUS* onto the Easi-fit Base by sliding the unit on left to right as shown below:



Warning: Mixing (or leaving unattached) the Live and Neutral connections when interconnecting Alarms/Controllers may damage all the interconnected devices - ensure that the same colour wires are used throughout the premises for Live, Neutral and Interconnect wires.

We strongly recommend that you check for the following before connecting the VISALERT*PLUS*:

- check for Live and Neutral using a two probe tester.
- check for Live using a neon tester.
- check that the Interconnect wire is NOT connected to Live, Neutral or Earth. Do not use an Earth wire for the Interconnect line.

The interconnect wire must be treated as a mains powered conductor. It should be suitably rated and double insulated. Earthing of the VISALERT*PLUS* is optional and can be achieved through the Easi-fit base.

A maximum of 12 Smoke / Heat / CO / multi-sensor Alarms and accessory devices (e.g. FAC20 or VISALERT*PLUS*) can be interconnected in a Brooks Alarm system. Each device must be counted when assessing the total number of devices.

For the purpose of interconnection, the VISALERT*PLUS* is counted as smoke alarm when considering the maximum number of devices permitted to be interconnected.

For the wireless interconnection option, an EIB3000MRF SmartLINK module needs to be fitted to each VISALERT*PLUS* and interconnected alarms (sold separately).

2.5 Removing the VISALERT PLUS

If the VISALERT PLUS is required to be removed from the easi-fit base, the same method to remove any alarm from the easi-fit base can be used as shown in Figure 8 below.

*** Disconnect mains before removal ***

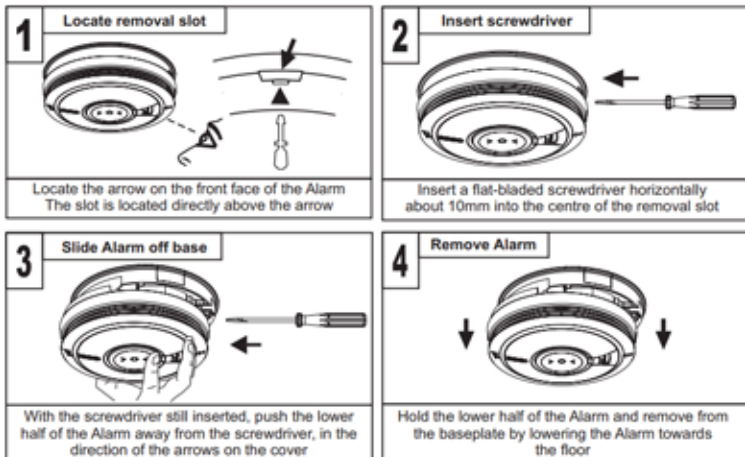


Figure 8 - Remove VISALERT PLUS from the easi-fit base

3

Operation

Brooks recommend frequent testing of the system to ensure its continued and safe operation.

The following are guidelines for testing VISALERT *PLUS*:

- After the system is installed.
- Once monthly thereafter.
- After prolonged absence from the dwelling (e.g. after holiday period).
- After repair or servicing of any of the system's elements or household electrical works.

3.1 Testing the Alarm System "TEST"



1. Check that the green LED power indicator is on continuously.
2. Check also that there are no faults i.e. NO green or orange LED flashing (if this is the case, please see indicator summary table shown in Figure 9, page 28).
3. Press the test button for up to 10 seconds and ensure that the 5 main LEDs light. This tests that the electronics are working. The light will turn off when the button is released. Pressing the test button simulates a received alarm signal from either the hardwire interconnect or the wirelessly via EIB3000MRF (if used). (Refer to indicator summary table if you see the orange LED flash).

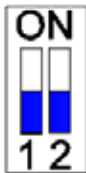
4. Check the functioning of the mains battery back-up directly after installation and then at least yearly as follows:

- ▶ Turn off the mains power at the distribution board and check that the green indicator light is now flashing (1 flash every second) to indicate the Warning Device is on backup battery power.
- ▶ Press the Test button and ensure the main LEDs light.
- ▶ Turn the mains supply at the distribution board back on.



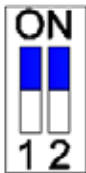
Dip Switches

STEADY



FLASH

STEADY



FLASH

STEADY



FLASH

STEADY



FLASH

The VISALERT*PLUS* has two flavours, flash (UL1971) for hearing impaired and steady (AS2293) to function as an emergency luminaire. Moving any dip switch to the STEADY function side will enable the emergency luminaire function.

In flash mode the LEDS will flash a high intensity when the VISALERT*PLUS* is triggered by receiving an alarm signal from either the interconnect or the EIB3000MRF.

In steady mode the LEDS will stay on at low intensity within 1 second of the VISALERT*PLUS* detecting a mains voltage loss, or is triggered by receiving an alarm signal from either the interconnect or the EIB3000MRF.

3.2 Fault Indications

	Green Light	Orange Light
No Fault	ON	OFF
Low Battery	OFF	Flash
High Battery Volts	Flash out of sync	Flash out of sync
High Temperature	Flash out of sync	Flash out of sync
Communication Fault	OFF	ON
Power On	Flash Once	Flash Once
Power On / No Mains	1 flash per second	OFF
Power On / No Mains after 72 Hours	OFF	Alternating 1 second on / 1 second off

Figure 9 - Fault Codes Indicator light meanings

4

Internal Battery

The VISALERT *PLUS* is fitted with two lithium-Ion 2ICR19/66 batteries 7.2V, 2.42Ah, 17.42Wh.

- a) Do not dismantle, open or shred cells.
- b) Do not short-circuit a cell or battery.
- c) Do not attempt to remove the battery from its enclosure.
- d) Do not expose cells or batteries to heat or fire. Avoid storage in direct sunlight.
- e) Do not subject cells or batteries to mechanical shock.
- f) In the event of a cell leaking, do not allow the liquid to come into contact with the skin or eyes. If contact has been made, wash the affected area with copious amounts of water and seek medical advice.
- g) Operating temperature.
 - i. Charge, 0 °C to 45 °C. Discharge -20 °C to 60 °C
- h) Storage
 - i. Less than 3 months between -20 °C and +40 °C, less than 70% RH.
 - ii. Long term between -20 °C and +20 °C, less than 70% RH.

The VISALERT *PLUS* contains Li-ion batteries. Caution must be taken in Li-ion battery use and disposal due to the potential for fire and injury if these batteries are misused or damaged.

The Battery used in this device may present a risk of fire or chemical burn if mistreated. Do not disassemble or incinerate.

Keep away from children.

5

Guarantee

If the product has any defect due to faulty workmanship or material it is to be returned to Brooks freight paid. Brooks will, at its sole discretion, repair or replace the item free of charge.

On returning the complete product, proof of purchase will be required, all accessories MUST be returned.

This guarantee does not cover damage caused to the product or its components as a result of incorrect installation, accident, neglect, misuse or unauthorised dismantling howsoever caused, careless handling or where repairs have been made or attempted by others.

No other guarantees written or verbal are authorised to be made on behalf of Brooks. All other conditions and warranties whether expressed or implied are, to the extent permitted by law, hereby excluded.

As Brooks has no control over the system's design, installation to the relevant Australian Standard or maintenance, the Company and its agents take no responsibility for any damage, consequential loss or injury caused to any equipment, property or persons resulting from the use of the fire alarm/warning device *VISALERT PLUS*.

Brooks guarantees the controller for a period of 15 month from the date of purchase the equipment or 12 months from the date of operation.

6

Revision History

Issue	Date	Description	Written By	Checked By
0	14/06/2024	Initial Revision	RH	AS



Conforms to AS/NZS 62368.1:2022



Fire Products & Solutions

P/N MA460 Rev0

© Brooks 2024

Brooks Australia PTY Ltd.
Website: www.Brooks.com.au

NSW - Head Office
P.O. Box 7050 Silverwater NSW 1811
4 Pike Street Rydalmere NSW 2116
Ph: 02 9684 1466

VIC
9/71 Victoria Crescent, Abbotsford VIC 3067
Ph: 03 9879 5294

SA
P.O. Box 101 Woodville SA 5011
729A Port Road, Woodville SA 5011
Ph: 08 8347 0000

QLD
P.O. Box 511 Archerfield QLD 4108
2/49 Boyland Ave, Coopers Plains QLD 4108
Ph: 07 3373 8222

WA
P.O. Box 2114 Midland DC WA 6936
Ph: 08 6454 5900

or National Australian Sales Number: 1300 78 FIRE (3473)
For the cost of local call