



## Roof Space Residential Heat Detectors

### Model BA-B-RFP6 & BA-D-RFP6




#### Description

Standard Smoke or Heat alarms are not suitable in residential roof space applications where fires may occur. Brooks has developed a solution to protect residential roof space when a residential fire panel is used. The heat detector utilises a bi-metallic heat switches used in NZ compliant heat detectors HS60 or HS80, X-series surface mount base and RFP6 smoke / heat alarm interface card SUB332.

When the temperature in the roof space reaches the set point of the bi-metallic switch, the contact of the switch will close and connects approximately 12V to the interconnect which activates all smoke or heat alarms within the specified zone.

#### Features

- Minimum current draw, refer to specifications.
- Up to 12 of BA-B-RFP6 or BA-D-RFP6 can be connected to a zone in RFP series of residential panels.
- Minimise false alarms.
- Suitable for harsh environment e.g. roof spaces, garages, etc.
- Compatible with BARFP6D, BARFP12D and RFP18D
- Base size 140L x 120W x 33H mm
- LED alarm indication

			Title		Technical Datasheet			
			<b>Roof Space Residential Heat detectors Model BA-B-RFP6 / BA-D-RFP6</b>		Created	Checked	TDS No.	Rev
					E.T.	A.S.	TDS006	1
7/5/2013	1	Update block wiring diagram and pictures(E.T.)	Page 1 of 2		22/12/10	22/12/10		
22/12/10	0	Original Issue						
Date	Rev	Description						

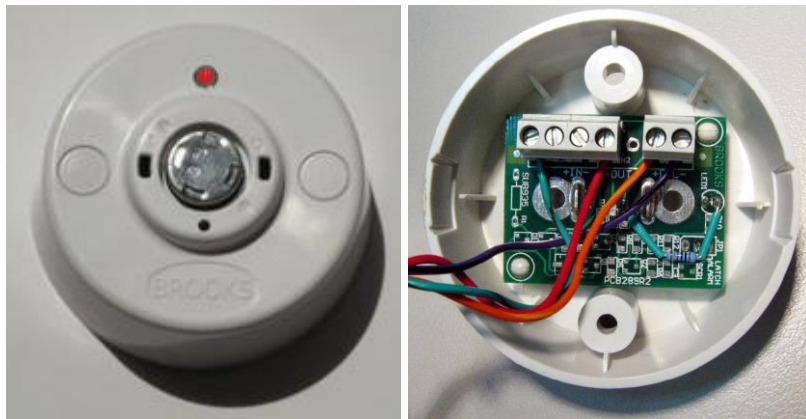
# Specifications

Function	BA-B-RFP6	BA-D-RFP6
Temperature	60°C ±5°C	80°C ±5°C
Current Consumption Quiescent Alarm	0.125 mA 9 mA	0.125 mA 9 mA
Nominal Voltage	12 V	12 V
Dot Colour	Blue	Yellow
No. of units per zone	12	12

# Operation

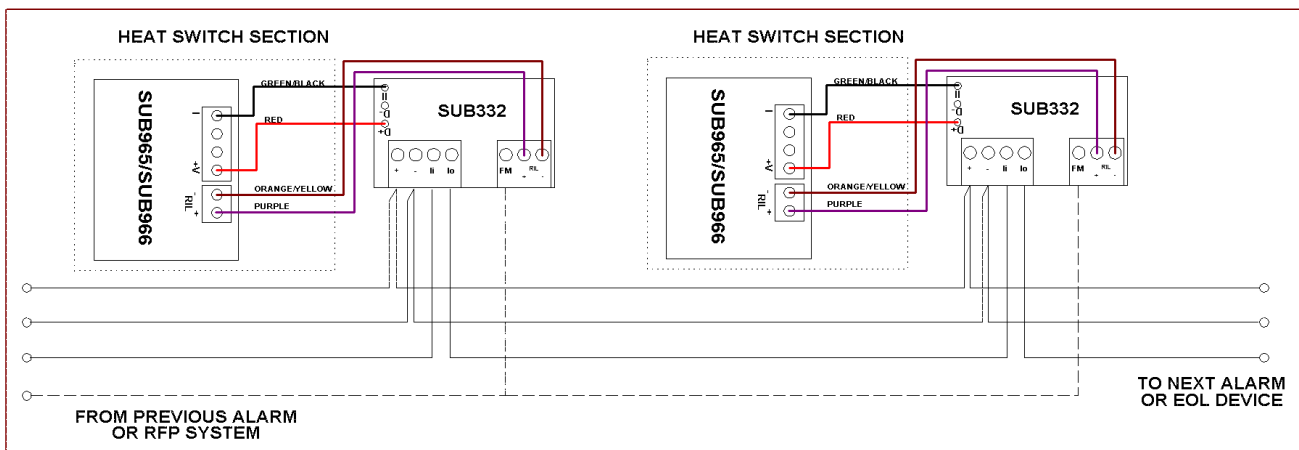
The bi-metallic switch contact is connected between the Interconnect and the positive terminals on RFP6 interface card SUB332. When the ambient temperature rises to set value, the bi-metallic N/O contact closes, Interconnect voltage goes high and activates all the smoke or heat alarms interconnected to BA-B-RFP6 or BA-D-RFP6. The red LED will turn on only when the heat switch closes.

# Installation




The residential heat detectors will be mounted and pre wired to RFP6 interface card. Only two wires are internally connected to SUB332, positive and interconnect.

The field wiring will be same as normal RFP series smoke or heat alarms and shown in the following drawing:



*(Due to the continual development Brooks Australia reserves the rights to change the product specifications)*

			Title		Technical Datasheet			
			<b>Roof Space Residential Heat detectors Model BA-B-RFP6 / BA-D-RFP6</b>		Created	Checked	TDS No.	Rev
					E.T.	A.S.	TDS006	1
7/5/2013	1	Update block wiring diagram and pictures(E.T.)	Page 2 of 2		22/12/10	22/12/10		
22/12/10	0	Original Issue						
Date	Rev	Description						