

4481 Addressable Ceiling Mount Visual Alarm Device with Isolator

4481RE | Addressable Ceiling Mount Visual Alarm Device with Isolator – Red

4481WH | Addressable Ceiling Mount Visual Alarm Device with Isolator – White



The 4481 Addressable Ceiling Mount Visual Alarm Device (VAD) with isolator has a unique lens design that distributes the light in a cylindrical shape to achieve the required illumination specified by EN54.23. Designed for installation at a height of up to 3m and with a discrete appearance, the device is ideal for a variety of applications, including bedrooms, bathrooms and toilets.

Features

- LED technology for long service life and low current consumption
- Coverage Switch Feature – For smaller areas switch down from 7.3m to 3m, reducing power consumption by 50%
- Flash rate switch feature – Reduce from 1Hz to 0.5Hz to reduce power consumption by 50%
- Built-in COM loop short circuit isolator
- Locking base to prevent easy removal of device
- Meets the requirements of AS7240.23 - 0.4Lux/m² illumination over entire area
- Available in Red or White
- Ideal for bedrooms, bathrooms and toilets

Technical Specification

Mounting Type	Ceiling
Coverage (y)	7.3m
Mounting Height (x)	3m (max)
Coverage Volume Code	C-3-7.3 (switchable to 3m)
Coverage Volume	125m ³ (21m ³)
Flash Rate	1Hz (Switchable to 0.5Hz)
Operating Temperatures	-10°C to +55°C
Protection	IP65 with Deep Base
Humidity	>95%
Weight	100g
Body Colour	White or Red
Flash Colour	White

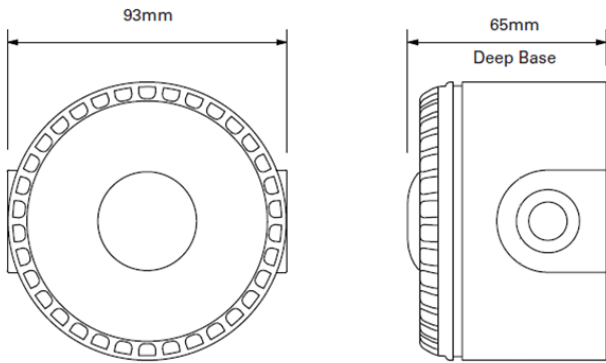
Compliance

Conforms to:
EN54.17 & EN54.23

Compatibility

The 4481 can be used with firetracker systems FT128V2 and FT1020G3 utilising Software Versions ≥2.4.x.

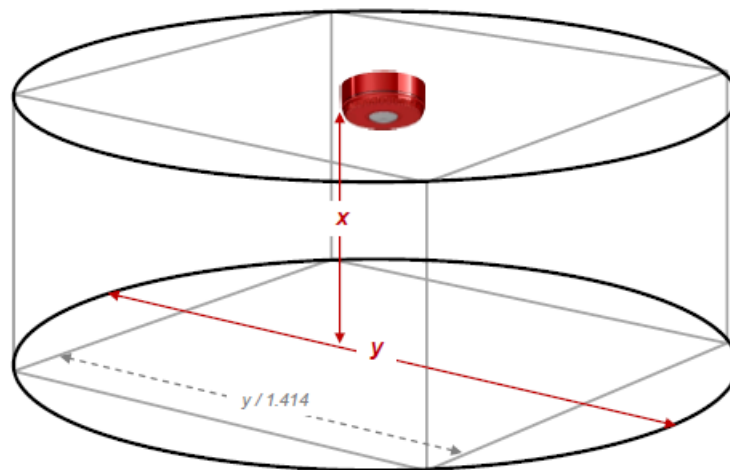
Dimensions



Coverage Volume

The designators **x** & **y** are defined in EN54-23, and define the coverage volume of the VAD.

C-x-y C – Ceiling Mounted Device



- x** – The maximum mounting height of the VAD
- y** – The diameter in metres of the cylindrical volume covered

Helpful Hint – To convert the coverage diameter **y** to the width of a square room (or area).

Width of square room = $y/1.414$ metres