

BAALOC - Alarm Locator Switch

9Vdc/230Vac

Product Description

With interconnected smoke/heat alarms, when one alarm activates, all smoke/heat alarms will sound. A Brooks Alarm Locator quickly and easily identifies the location of the alarm origin. The alarm locator silences for a period of approximately 5 minutes all active smoke/heat alarms except the one which initially sounded, making it easy to identify the exact location of the fire. The alarm locator automatically resets after the approximately 5 minute period.

Installation

The BAALOC is mounted on a single gang switch plate making it easy to mount onto a standard mounting bracket.

WARNING: When BAALOC is used with 230-volt smoke /heat alarms, it must be installed by a licensed electrician in accordance with AS3000. Failure to install the BAALOC correctly is mains power systems may expose the user to shock or fire hazard.

Testing

Using a smoke can, spray smoke on one of the smoke alarms, all alarms will sound. Press the locate button, all alarms will be silenced for approximately 5 minutes except the active alarm. Once the smoke clears up, the active smoke alarm will silence. If the smoke is not cleared within the five minutes, all the alarms will resound.



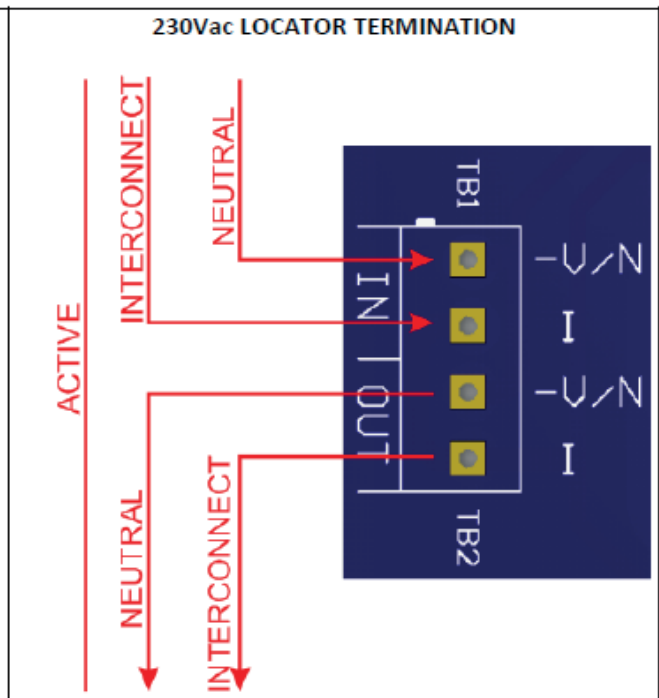
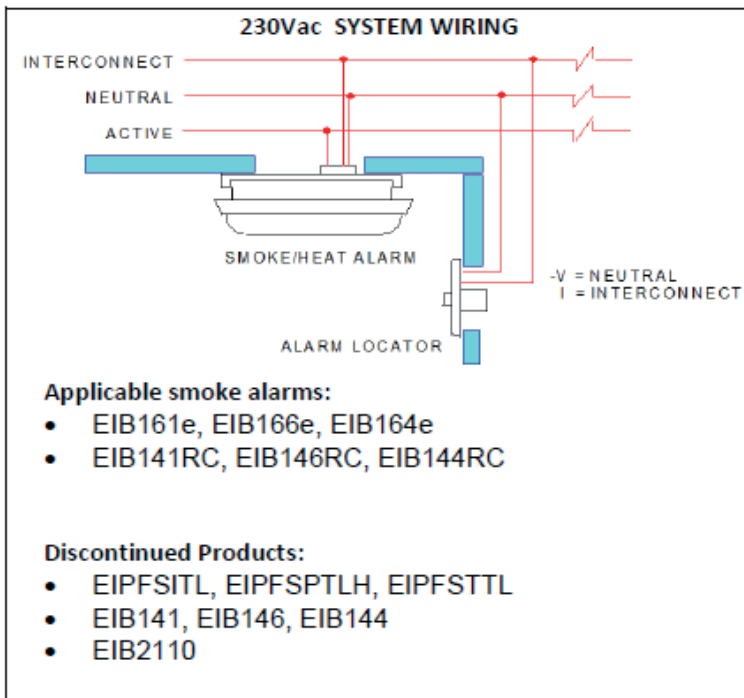
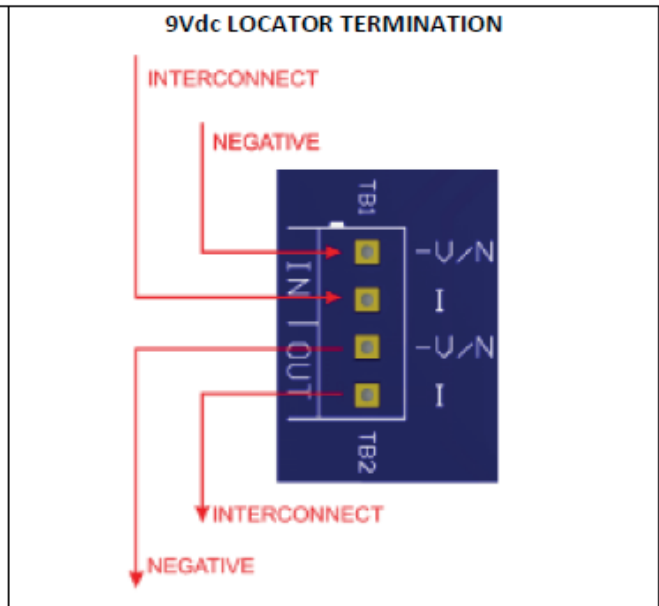
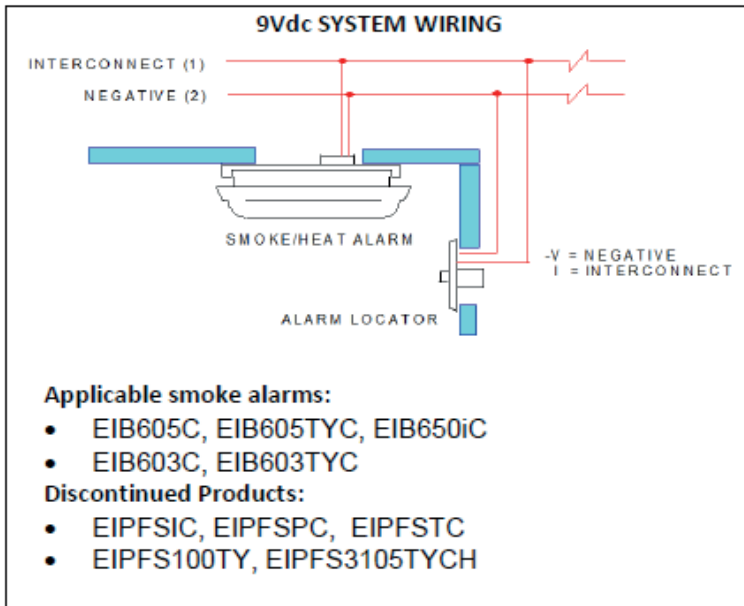
Due to continual product development, Brooks reserve the right to alter product details and specifications without prior notice.

Head Office: Sydney, 4 Pike Street, Rydalmere 2116 | PO Box 7050 Silverwater BC1811

Regional Offices: Brisbane - Adelaide - Melbourne - Perth - New Zealand

www.brooks.com.au - Toll Free 1300 783 473

BAALOC - Alarm Locator Switch



Note: Both terminals labelled 'V' are internally connected. Both terminals labelled 'I' are also internally connected. The 2nd pair of terminals are provided only to make wiring easier.

Due to continual product development, Brooks reserve the right to alter product details and specifications without prior notice.

Head Office: Sydney, 4 Pike Street, Rydalmere 2116 | PO Box 7050 Silverwater BC1811

Regional Offices: Brisbane - Adelaide - Melbourne - Perth - New Zealand

www.brooks.com.au - Toll Free 1300 783 473